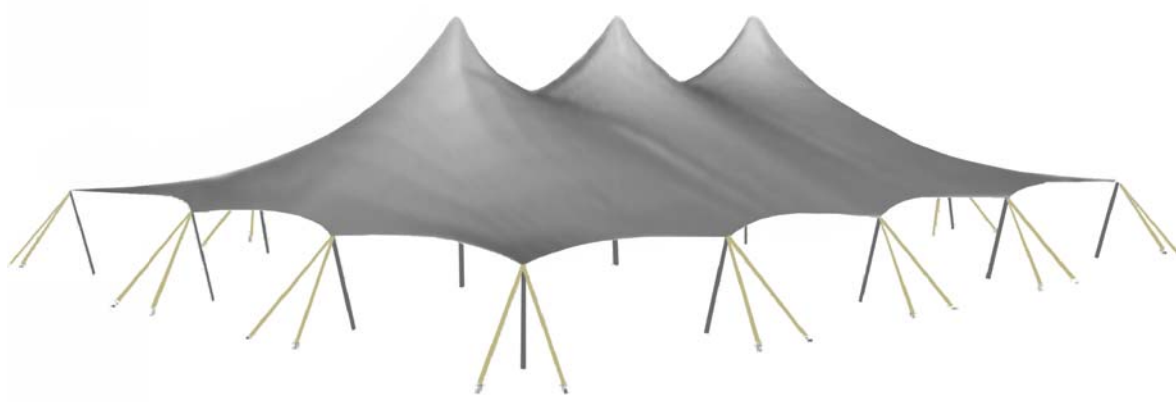
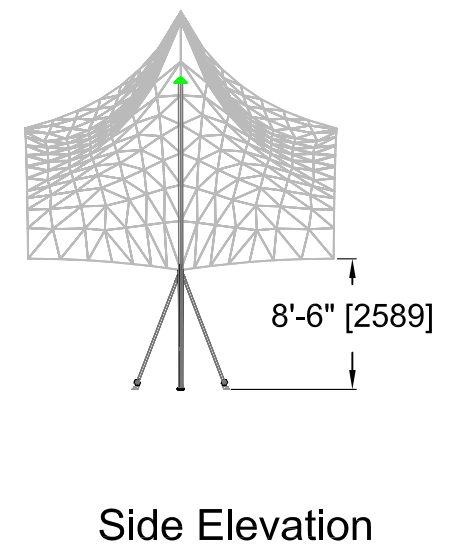
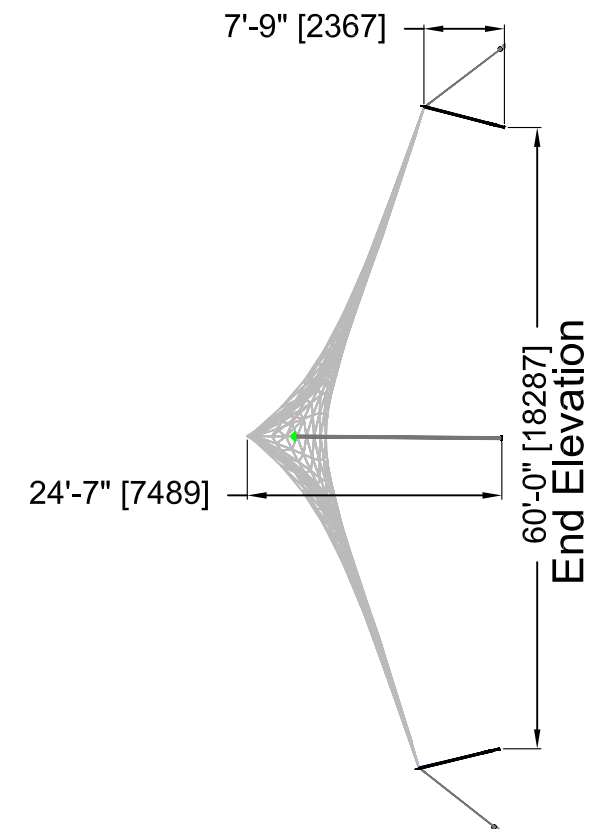
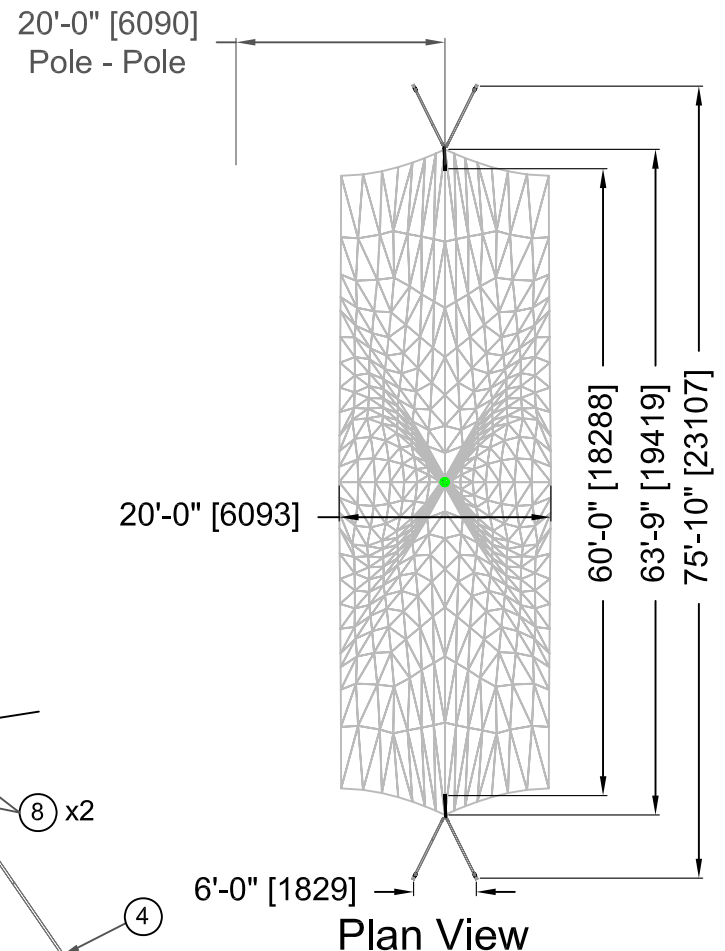
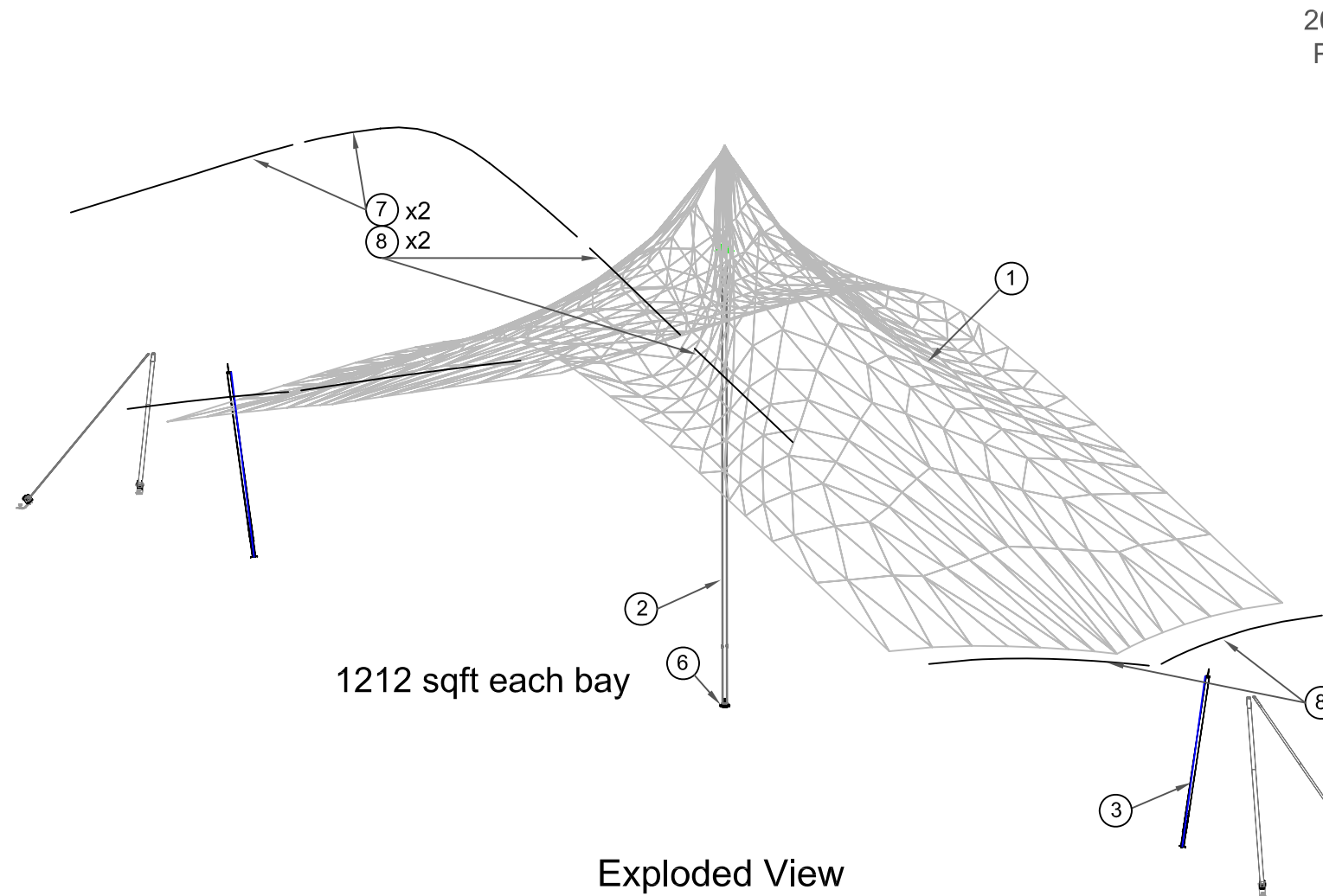


Designed to meet or exceed the following requirements: Design Wind - 90 MPH 3 Second Gust Per IBC-2003, Section 1609; NBC-90 q = 0.39 kPa Fire - ULC S109, Calif. Fire Marshall, & M2.
User Note: Tent integrity is a direct function of installation quality. Follow installation instructions, adding stakes as conditions require. Do not exceed design parameters or local ordinances for public assembly. Reaction forces shown are for test-bed conditions only. Hills or other land forms, windward obstructions & other local conditions will alter actual forces considerably. Stakes & guying indicated on this drawing may or may not be appropriate for soil & site conditions. When in doubt, consult local engineer.
CLIMBING ON TENT CAN RESULT IN INJURY OR DEATH.

Rev #	Date	By	Description



ITEM #	PART #	QTY.	Um	DESCRIPTION	WEIGHT
1	40.39.021	1	1	POLEADION 60 MID BAY ROOF PANEL	149.71
2	30.76.004	1	1	MAST ASSY POLEADION 60	76.66
3	30.76.012	2	1	SIDE POLE ASSY - POLEADION	13.53
4	30.16.210	4	1	STRAP 2 IN X 168 IN WITH SAFETY HOOK	11.82
5	30.73.020	4	1	ANCHOR WINCH COMPLETE	24.30
6	30.50.021	1	1	MEGA CAST CONE	1.68
7	20.70.105	2	1	EXT 10.13.015 240 IN 6061-T6 EXTRUSION	18.32
8	20.70.103	6	1	EXT 10.13.015 125 IN 6061-T6 EXTRUSION	28.63
Total lbs		54.10.121		POLEADION 60 ADDITION (MID)	277.70



tentnology co.
 15427 66th Avenue Surrey B.C. Canada V3S 2A1
 Tel: (604) 597-8368 Fax: (604) 597-8749 e-mail: tent@tentnology.com

POLEADION 60 ADDITION (MID)
 General Arrangement

Project: Poleadion	Scale: NTS	Sheet No.: 1 of 1
Dwg By: RB	Date: 5 Dec 07	File No.
Ck'd By: ALI	App'd: <i>GN</i>	54.10.121